



ADINA

ADINA Industries Co. Ltd.
浙江阿迪娜工业科技有限公司
Zhejiang Adina Industries Technology Co. Ltd.
RM 802, Building D, Shangduan Tower
Yucheng Street, Yuhuan City
Zhejiang Province, China.

ADINA VALVE

Quality, Shared By The World

CONTENTS

COMPANY PROFILE	02
SP-QC01 QUICK COUPLING	03
SP-QC02 QUICK COUPLING	04
SP-QC03 QUICK COUPLING	05
SP-QC04 QUICK COUPLING	06
SP-QC05 QUICK COUPLING	07
SP-QC06 QUICK COUPLING	08
SP-QC07 QUICK COUPLING	09
SP-QC08 QUICK COUPLING	10
SP-FV01 FLOAT VALVE	11
SP-FV02 FLOAT VALVE	12
SP-FV03 FLOAT VALVE	13
SP-FV04 FLOAT VALVE	14
SP-FV05 FLOAT VALVE	15
FLANGED FLOAT VALVE	16
SP-FV06 FLOAT VALVE	17
IPC BALL VALVE HEAVY TYPE	18
MINI BALL VALVE FXF	19
MINI BALL VALVE FXM	20
HIGH PLATFORM 2PC BALL VALVE	21
3PC BALL VALVE HEAVY TYPE	22
3PC BALL VALVE MB TYPE	23
HIGH PLATFORM 3PC BALL VALVE	24
HIGH PLATFORM 3WAY BALL VALVE	25
HIGH PLATFORM WAFER BALL VALVE	26
2PC FLANGED BALL VALVE	27
HIGH PLATFORM 2PC FLANGED BALL VALVE	28
3PC FLANGED BALL VALVE	29
HIGH PLATFORM 3PC FLANGED BALL VALVE	30
TRUNNION MOUNTED FLANGED BALL VALVE	31
THREADED GATE VALVE	32
FLANGED GATE VALVE	33
THREADED GLOBE VALVE	34
FLANGED GLOBE VALVE	35
THREADED SWING CHECK VALVE	36
THREADED SPRING CHECK VALVE	37
WAFER LIFT CHECK VALVE	38
WAFER SINGLE DISC SWING CHECK VALVE	39
WAFER DOUBLE DISC SWING CHECK VALVE	40
FLANGED CHECK VALVE	41
THREADED Y STRAINER	42
FLANGED Y STRAINER	43
WATER PRESSURE REDUCING VALVE	44
STEAM PRESSURE REDUCING VALVE	45
PIPE FITTINGS	46

COMPANY PROFILE

Adina Industrial Co., Ltd. was formally established in 2016. We are a comprehensive company specializing in providing users with a series of high-quality mechanical equipment, raw materials, chemicals, textiles, accessories, and solutions in different industrial fields. We have offices in Zhejiang, Guangzhou, Hainan, Wuhan, and Yunnan in China, with branches in Bangladesh, Morocco, Turkey and Canada with connections in other countries for worldwide sales.

Adina Industrial Co., Ltd. has a good reputation in the field of commercial circulation. We support professional manufacturers and have a group of high-end customers. Our services have not only been appreciated by our customers, but also recognized by the industry. Fast service, high quality products, accurate and reasonable prices are the service concepts that we have always adhered to in the past six years.

Our goal is to actively enterprise, constantly recognize and strive for opportunities that are beneficial to customers and their progress; act and make quick decisions on the needs of customers, suppliers and employees.

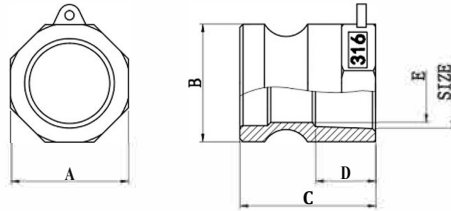
Through the continuous efforts of all our staff, our goal of establishing a global team to provide diversified services in all aspects of product procurement, sales and circulation is gradually being realized.

Adina Industries' continuous innovation in management, product and market innovation has deepened the industry, lengthened the industrial chain, made it bigger, more refined, and stronger, to meet market demand and benefit our partners. At the same time, we sincerely welcome cooperation with major customers and supply chains to create brilliant partnerships.



ADINA VALVE

SP-QC01 QUICK COUPLING



Technical Data:

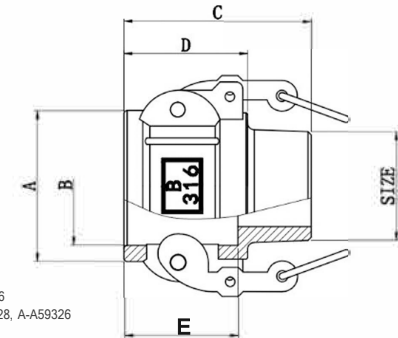
DESIGN STANDARD: GB/T 16693-1996, DIN2828, A-A59326
 INSPECTION&TEST STANDARD: GB/T 16693-1996, DIN2828, A-A59326
 MATERIAL: SS304, SS316
 PRESSURE: 0-1.6MPA
 SIZE: 1/2"-4"
 MEDIUM: WATER, OIL, ETC

Dimensions:

Size	A	B	C	D	E
DN15	32	32	37	16	22
DN20	32	32	37	16	22
DN25	38	37	42	20	25
DN32	46	45.5	51	23	31
DN40	54	53.5	54	26	38
DN50	65	63	58	26	49
DN65	80	75	70	28	60
DN80	94	91	70	35	76
DN100	122	119	71	37	104

ADINA VALVE

SP-QC02 QUICK COUPLING



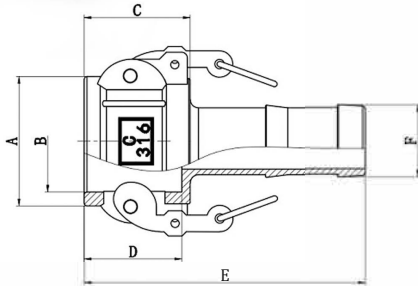
Technical Data:

DESIGN STANDARD: GB/T 16693-1996, DIN2828, A-A59326
 INSPECTION&TEST STANDARD: GB/T 16693-1996, DIN2828, A-A59326
 MATERIAL: SS304, SS316
 PRESSURE: 0-1.6MPA
 SIZE: 1/2"-4"
 MEDIUM: WATER, OIL, ETC

Dimensions:

Size	A	B	C	D	E
DN15	44	33	48	31	15
DN20	41	33	48	31	15
DN25	46	38	56	38	25
DN32	56	46.5	65	45	33
DN40	63	54.5	68	46	40
DN50	74	64	76	52	51
DN65	87	76	84	55	65
DN80	105	92	89	57	78
DN100	134	120	94	57	100

SP-QC03 QUICK COUPLING



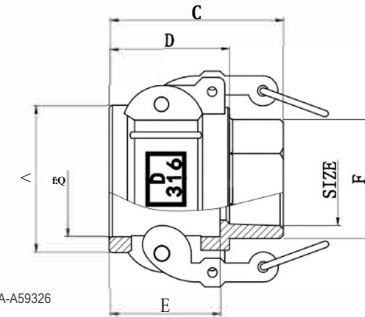
Technical Data:

DESIGN STANDARD: GB/T 16693-1996, DIN2828, A-A59326
 INSPECTION&TEST STANDARD: GB/T 16693-1996, DIN2828, A-A59326
 MATERIAL: SS304, SS316
 PRESSURE: 0-1.6MPA
 SIZE: 1/2"-4"
 MEDIUM: WATER, OIL, ETC

Dimensions:

Size	A	B	C	D	E	F
DN15	41	33	31	27	89	19.9
DN20	41	33	31	27	89	19.9
DN25	46	38	38	35	100	25.8
DN32	56	46.5	45	41	113	33.2
DN40	63	54.5	46	42	115	38.9
DN50	74	64	52	48	130	52.8
DN65	87	76	55	50	144	65.6
DN80	105	92	57	53	158	78.6
DN100	134	120	57	53	168	105

SP-QC04 QUICK COUPLING



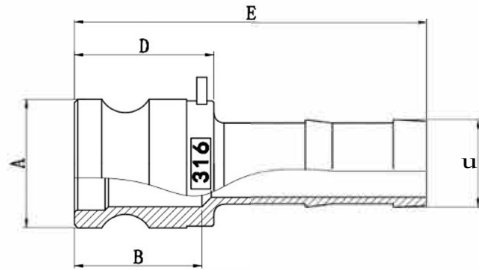
Technical Data:

DESIGN STANDARD: GB/T 16693-1996, DIN2828, A-A59326
 INSPECTION&TEST STANDARD: GB/T 16693-1996, DIN2828, A-A59326
 MATERIAL: SS304, SS316
 PRESSURE: 0-1.6MPA
 SIZE: 1/2"-4"
 MEDIUM: WATER, OIL, ETC

Dimensions:

Size	A	B	C	D	E	F
DN15	41	33	43	31	27	32
DN20	41	33	43	31	27	32
DN25	46	38	54	38	35	38
DN32	56	46.5	65	45	41	46
DN40	63	54.5	65	46	42	52
DN50	74	64	75	50	48	65
DN65	87	76	82	55	50	81
DN80	105	92	87	56	53	94
DN100	134	120	90	56	53	120

SP-QC05 QUICK COUPLING



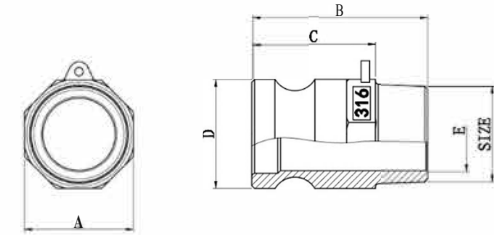
Technical Data:

DESIGN STANDARD: GB/T 16693-1996, DIN2828, A-A59326
 INSPECTION&TEST STANDARD: GB/T 16693-1996, DIN2828, A-A59326
 MATERIAL: SS304, SS316
 PRESSURE: 0-1.6MPA
 SIZE: 1/2"-4"
 MEDIUM: WATER, OIL, ETC

Dimensions:

Size	A	B	C	D	E
DN15	32	35	19.9	39	94
DN20	32	35	19.9	39	94
DN25	37	37	25.8	41	103
DN32	45.5	42	33.2	46	115
DN40	53.5	45	38.9	49	118
DN50	63	49	52.8	53	131
DN65	75	53	65.6	58	148
DN80	91	56	78.6	61	162
DN100	119	56	105	61	172

SP-QC06 QUICK COUPLING



Technical Data:

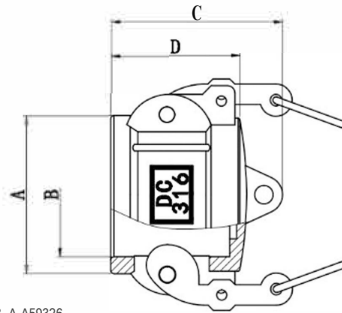
DESIGN STANDARD: GB/T 16693-1996, DIN2828, A-A59326
 INSPECTION&TEST STANDARD: GB/T 16693-1996, DIN2828, A-A59326
 MATERIAL: SS304, SS316
 PRESSURE: 0-1.6MPA
 SIZE: 1/2"-4"
 MEDIUM: WATER, OIL, ETC

Dimensions:

Size	A	B	C	D	E
DN15	32	54	37	32	15
DN20	32	54	37	32	15
DN25	38	60	42	37	25
DN32	46	72	51	45.5	33
DN40	54	75	53	53.5	40
DN50	65	80	56	63	52
DN65	80	88	59	75	67
DN80	94	100	69	91	80
DN100	122	105	69	119	104

ADINA VALVE

SP-QC07 QUICK COUPLING



Technical Data:

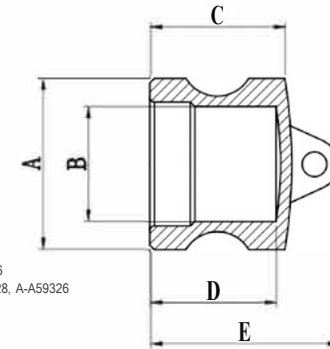
DESIGN STANDARD GB/T 16693-1996, DIN2828, A-A59326
 INSPECTION&TEST STANDARD GB/T 16693-1996, DIN2828, A-A59326
 MATERIAL SS304, SS316
 PRESSURE 0-1.6MPA
 SIZE 1/2"-4"
 MEDIUM WATER, OIL, ETC

Dimensions:

Size	A	B	C	D
DN15	41	33	43	30
DN20	41	33	43	30
DN25	46	38	49	38
DN32	56	46.5	57	45
DN40	63	54.5	59	46
DN50	74	64	64	54
DN65	87	76	67	55
DN80	105	92	74	57
DN100	134	120	74	57

ADINA VALVE

SP-QC08 QUICK COUPLING



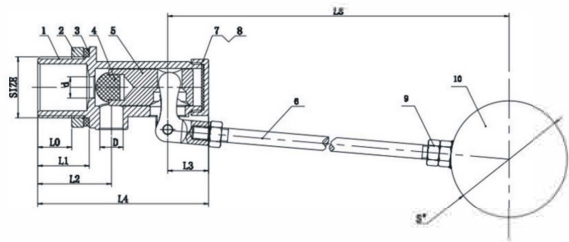
Technical Data:

DESIGN STANDARD GB/T 16693-1996, DIN2828, A-A59326
 INSPECTION&TEST STANDARD GB/T 16693-1996, DIN2828, A-A59326
 MATERIAL SS304, SS316
 PRESSURE 0-1.6MPA
 SIZE 1/2"-4"
 MEDIUM WATER, OIL, ETC

Dimensions:

Size	A	B	C	D	E
DN15	32	22	24.5	22	36
DN20	32	22	24.5	22	36
DN25	37	25	30	28	41
DN32	45.5	31	38	36	51
DN40	53.5	38	41	38	54
DN50	63	49	47	43	61
DN65	75	60	48	44	62
DN80	91	76	50	45	66
DN100	119	104	50	45	66

SP-FV01 FLOAT VALVE



Technical Data:

Design Standard: QB/T1199-1991, BS 1212
 Wall thickness standard: ASME B16.34
 Screw thread standard: ASME B1.20.1, BS21
 DIN 2999/259,ISO 228/1
 JIS B 0203,ISO 7/1
 Testing standard: MSSSP-110, EN12266

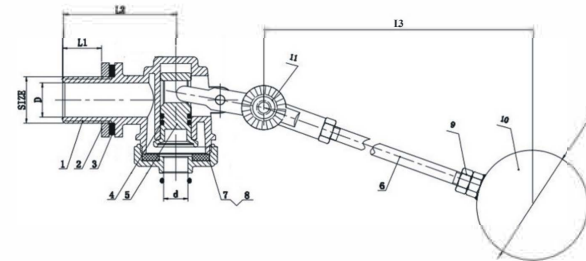
Materials:

NO.	Part Name	Material	NO.	Part Name	Material
1	Body	SS304,SS316	6	Stem	SS304,SS316
2	Lock Nut	SS304,SS316	7	Sealing	PTFE
3	Gasket	NBR	8	Cap	SS304,SS316
4	Plug	SI, NBR	9	Nut	SS304,SS316
5	Piston	SS304,SS316	10	Ball	SS304,SS316

Dimensions:

Size	L0	L1	L2	L3	L4	L5	d	D	S
1/2"	14	21	30	24	70	275	8	10	11.0mm
3/4"	15	22	31.5	24	70	275	10	12	11.0mm
1"	18	28	41	29	90	350	15	16	13.5mm
1 1/4"	20	31	44	29	94	370	15	16	15.0mm
1 1/2"	22	32	49	38	115	480	22	24.5	22.5mm
2"	25	36	57	40	128	500	27	28	25.0mm

SP-FV02 FLOAT VALVE



Technical Data:

Design Standard: QB/T1199-1991, BS 1212
 Wall thickness standard: ASME B16.34
 Screw thread standard: ASME B1.20.1, BS21
 DIN 2999/259,ISO 228/1
 JIS B 0203,ISO 7/1
 Testing standard: MSS SP-110, EN 12266

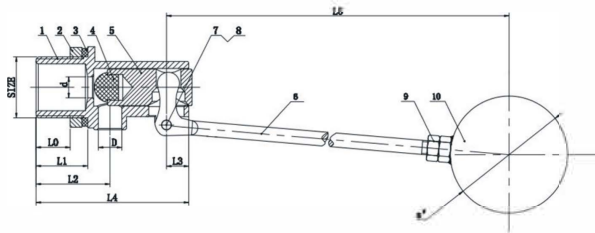
Materials:

NO.	Part Name	Material	NO.	Part Name	Material
1	Body	SS304,SS316	7	Sealing	FKM
2	Lock nut	SS304,SS316	8	Cap	SS304,SS316
3	Sealing	NBR	9	Nut	SS304,SS316
4	Sealing	silicone/FKM	10	Ball	SS304,SS316
5	Plug	SS304,SS316	11	Joint	SS304,SS316
6	Stem	SS304,SS316			

Dimensions:

Size	L1	L2	L3	d	D	S
1/2"	16	56	290	12	15	11.5mm
3/4"	16	56	290	15	19	11.5mm
1"	20	60	290	21	26	13.5mm
1 1/4"	20	68	400	24	35	13.5mm
1 1/2"	22	74	400	26	40	15.0mm
2"	25	84	400	31	50	15.0mm

SP-FV03 FLOAT VALVE



Technical Data:

Design Standard: QB/T1199-1991, BS 1212
 Wall thickness standard: ASME B16.34
 Screw thread standard: ASME B1.20.1, BS21
 DIN 2999/259,ISO 228/1
 JIS B 0203,ISO 7/1
 Testing standard: MSSSP-110, EN12266

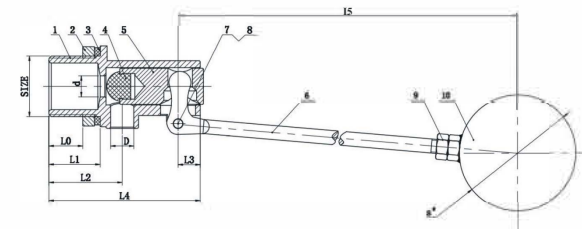
Materials:

NO.	Ja%	Material	NO.	J;	Material
1	Body	SS304	6	Stem	SS304
2	Lock nut	SS304	7	Nut	SS304
3	Sealing	NBR	8	Nut	SS304
4	Sealing	Silicone	9	Nut	SS304
5	Plug	SS304	10	Ball	SS304

Dimensions:

Size	L0	L1	L2	L3	L4	L5	d	D	S
1/2"	13	21	30	10.5	55	250	7	9.5	100mm
3/4"	14	22	31	10.5	56	250	9	11.5	100mm
1"	20	28.5	40	13	74	320	15	16	135mm

SP-FV04 FLOAT VALVE



Technical Data:

Design Standard: QB/T1199-1991, BS 1212
 Wall thickness standard: ASME B16.34
 Screw thread standard: ASME B1.20.1, BS21
 DIN 2999/259,ISO 228/1
 JIS B 0203,ISO 7/1
 Testing standard: MSS SP-110, EN 12266

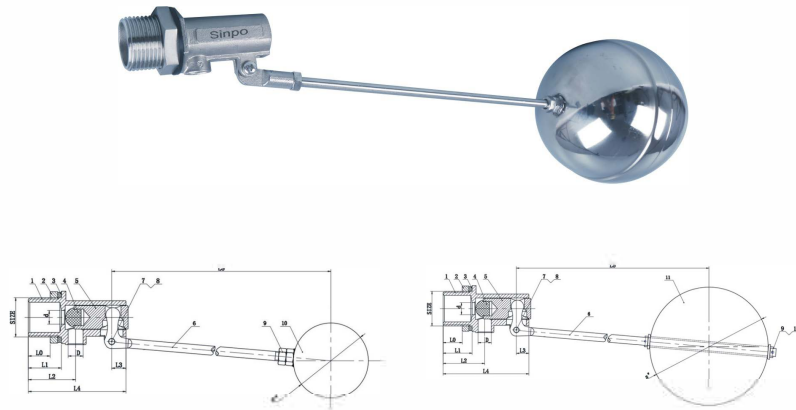
Materials:

NO.	Part Name	Material	NO.	Part Name	Material
1	Body	SS304,SS316	6	Stem	SS304,SS316
2	Lock Nut	SS304,SS316	7	Nut	SS304,SS316
3	Sealing	NBR	8	Screw	SS304,SS316
4	Plug	Silicone, NBR	9	Nut	SS304,SS316
5	Piston	SS304,SS316	10	Ball	Plastic PE

Dimensions:

Size	L0	L1	L2	L3	L4	L5	d	D	S
1/2"	13	22	30	10	65	250	7	8.5	5"
3/4"	13	22	31	10	65	280	8	10	5"
1"	19	30	42	15	89	350	13	13	6"
1 1/4"	22	31	43	15	89	380	13	13	6"
1 1/2"	27	36	53	22	110	580	21	21	8"
2"	30	39	61	22	120	600	27	27	10"

SP-FV05 FLOAT VALVE



Technical Data:

Design Standard: QB/T1199-1991, BS 1212
 Wall thickness standard: ASME B16.34
 Screw thread standard: ASME B1.20.1, BS21
 DIN 2999/259,ISO 228/1
 JIS B 0203,ISO 7/1
 Testing standard: MSSSP-110, EN12266

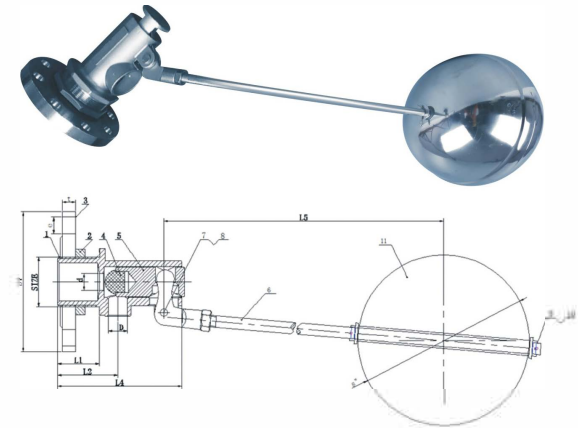
Materials:

NO.	Part Name	Material	NO.	Part Name	Material
1	Body	SS304,SS316	7	Nut	SS304, SS316
2	Lock nut	SS304,SS316	8	Screw	SS304, SS316
3	Sealing	NBR	9	Bolt	SS304, SS316
4	Plug	Silicone, NBR	10	Nut	SS304,SS316
5	Piston	SS304,SS316	11	Ball	SS304,SS316
6	Stem	SS304,SS316			

Dimensions:

Size	I0	L1	L2	L3	L4	L5	d	D	S
1/2"	13	22	30	10	65	250	7	8.5	100mm
3/4"	13	22	31	10	65	250	8	10	100mm
1"	19	30	42	15	89	350	13	13	135mm
1 1/4"	22	31	43	15	89	380	13	13	150mm
1 1/2"	27	36	53	22	110	450	21	21	220mm
2"	30	39	61	22	120	450	27	27	250mm
2 1/2"	31	42	84	26	150	580	38	38	300mm
3"	34	48	98	26	170	620	47	47	380mm
4"	40	56	113	26	195	620	60	60	380mm

FLANGED FLOAT VALVE



Technical Data:

Design Standard: QB/T1199-1991, BS 1212
 Wall thickness standard: ASME B16.34
 Flange standard: JB/T79, ASME B16.5, BS4504, JISB2220,
 DIN EN1092-1, etc
 Testing standard: MSS SP-110, EN 12266

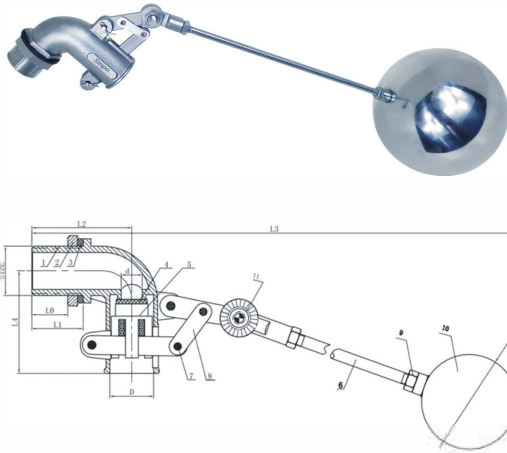
Materials:

NO.	Ja%	Material	NO.	Ja%	Material
1	Boey	SS304,SS316	7	Nut	SS304,SS316
2	Lock nut	SS304,SS316	8	Nut	SS304,SS316
3	Flange	SS304,SS316	9	Nut	SS304,SS316
4	Plug	Silicone, NBR	10	Nut	SS304,SS316
5	Piston	SS304,SS316	11	Ball	SS304,SS316
6	Stem	SS304,SS316			

Dimensions:

Size	D1	t	e	L1	L2	L4	L5	d	D	S
1 1/2"	140	13	18	35	54	120	450	21	21	220mm
2"	155	13	18	40	72	130	450	27	27	250mm
2 1/2"	175	15	18	42	80	150	540	37	37	300mm
3"	190	15	18	48	95	170	650	47	47	380mm
4"	210	17	18	55	110	195	650	60	60	380mm
6"	280	19	23	55	110	195	780	60	60	380mm
8"	330	19	23	55	110	195	780	60	60	380mm

SP-FV06 FLOAT VALVE



Technical Data:

Design Standard: QB/T1199-1991, BS 1212
 Wall thickness standard: ASME B16.34
 Screw thread standard: ASME B1.20.1, BS21
 DIN 2999/259, ISO 228/1
 JIS B 0203, ISO 7/1
 Testing standard: MSSSP-110, EN12266

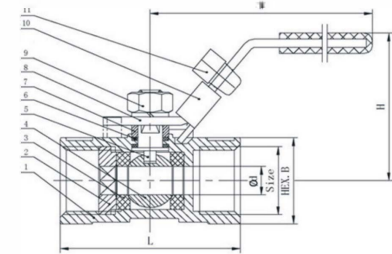
Materials:

NO.	Part Name	Material	NO.	Part Name	Material
1	Body	SS304	7	Pin	SS304
2	Lock nut	SS304	8	Level	SS304
3	Gasket	NBR	9	Nut	SS304
4	Sealing	Silicone, NBR	10	Ball	SS304
5	Plug	POM	11	Regulator	SS304
6	Stem	SS304			

Dimensions:

Size	l0	L1	L2	L3	L4	d	D	S
1/2"	17	25	50	400	47	8.5	18	115mm
3/4"	19	27	54	500	54	11	23	135mm
1"	19	28	55	530	70	16	30	150mm
1 1/4"	19	30	70	750	92	20	42	200mm
1 1/2"	24	36	75	760	95	23	42	200mm
2"	25	37	80	820	115	28	50	220mm

1PC BALL VALVE HEAVY TYPE



Technical Data:

Nominal pressure: PN63(1000Psi)
 Applicable temperature: -10°C--+ 150°C
 Body and bonnet: CF8(304) or CF8M(316)
 Ball: CF8(304) or CF8M(316)
 Stem: 304
 Sealing and packing: PTFE
 Thread end: BSP, BSPT, DIN2999, NPT

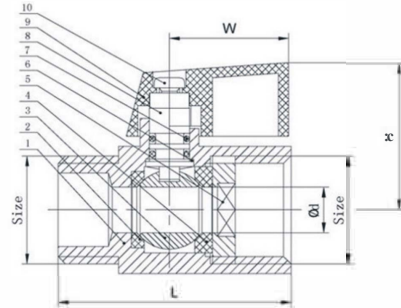
Materials:

NO.	Part Name	Material	NO.	Part Name	Material
1	Body	WCB, CF8, CF8M	7	Washer	CF8
2	Bonnet	WCB, CF8, CF8M	8	Handle	304
3	Seat	PTFE, RPTFE, PPL	9	Nut	A194-8
4	Ball	WCB, CF8, CF8M	10	Locking Device	301
5	Stem	304, 316	11	Pin	Plastic
6	Packing	304			

Dimensions:

Size	D	L	H	W	HEX.B	Connection
1/4"	5	39	31	70	17	NPT, BSPT, BSP, G etc
3/8"	7	44	36	80	21	
1/2"	9	59	42	90	25	
3/4"	12	60	45	95	32	
1"	15	72	54	110	38	
1 1/4"	20	77	59	110	48	
1 1/2"	25	84	63.5	150	53	
2"	32	100	70	150	66	
2 1/2"	38	120	95	200	82	
3"	48	142	103	200	96	

MINI BALL VALVE FXF



Technical Data:

Nominal pressure: PN63(1000Psi)
 Applicable temperature: -10°C+ 150°C
 Body and bonnet: CF8(304) or CF8M(316)
 Ball: CF8(304) or CF8M(316)
 Stem: 304
 Seal ring and packing: PTFE
 Thread end: BSP, BSPT, DIN2999, NPT

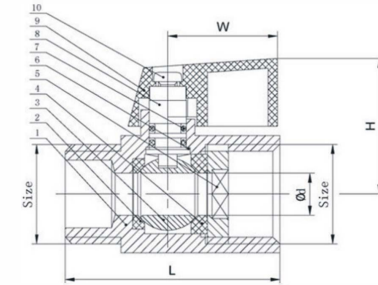
Materials:

NO.	Part Name	Material	NO.	Part Name	Material
1	Body	SS304, SS316	6	Thrust Washer	SS304
2	Seat	PTFE, RPTFE	7	O-Ring	FKM
3	Ball	SS304, SS316	8	Stem	304,316
4	Seat	PTFE, RPTFE	9	Handle	304
5	Cap	SS304	10	Screw	301

Dimensions:

Size	D	L	H	W
1/4"	7	42	26.5	22.8
3/8"	7	42	26.5	22.8
1/2"	9	46	28.3	22.8
3/4"	12.5	54	31.5	22.8
1"	15	65	34	22.8

MINI BALL VALVE FXM



Technical Data:

Nominal pressure: PN63(1000Psi)
 Applicable temperature: -10°C+ 150°C
 Body and bonnet: CF8(304) or CF8M(316)
 Ball: CF8(304) or CF8M(316)
 Stem: 304
 Seal ring and packing: PTFE
 Thread end: BSP, BSPT, DIN2999, NPT

Materials:

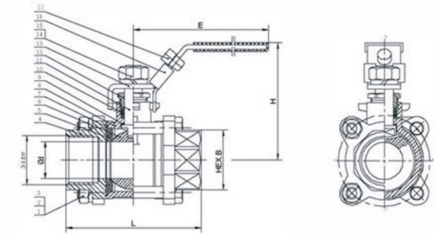
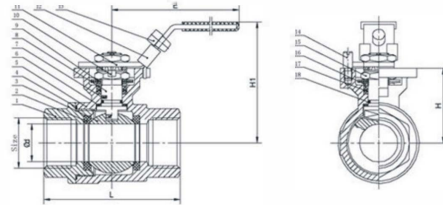
NO.	Part Name	Material	NO.	Part Name	Material
1	Body	SS304, SS316	6	Thrust Washer	SS304
2	Seat	PTFE, RPTFE	7	O-Ring	FKM
3	Ball	SS304, SS316	8	Stem	304,316
4	Seat	PTFE, RPTFE	9	Handle	304
5	Cap	SS304	10	Screw	301

Dimensions:

Size	D	L	H	W
1/4"	7	42	26.5	22.8
3/8"	7	42	26.5	22.8
1/2"	9	46	28.3	22.8
3/4"	12.5	54	31.5	22.8
1"	15	65	34	22.8

HIGH PLATFORM 2PC BALL VALVE

3PC BALL VALVE HEAVY TYPE



Technical Data:

Nominal pressure: PN63(1000Psi)
 Applicable temperature: -10°C + 150°C
 Body and bonnet: CF8(304) or CF8M(316)
 Ball: CF8(304) or CF8M(316)
 Stem: 304 or 316
 Seal ring and packing: PTFE
 Thread end: BSP, BSPT, DIN2999, NPT

Materials:

NO.	Part Name	Material	NO.	Part Name	Material
1	Bonnet	WCB, CF8, CF8M	10	Anti-Loose Cap	201
2	Seat	PTFE, RPTFE, PPL	11	Handle	304
3	Ball	CF8, CF8M	12	Locking Device	301
4	Gasket	PTFE	13	Pin	Plastic
5	Body	WCB, CF8, CF8M	14	Bolt	304
6	Thrust Washer	PTFE	15	Nut	A194 8
7	Anti-Static Device	301	16	Gland	304
8	Stem	304,316	17	Packing	PTFE
9	Washer	301	18	O-ring	RM

Dimensions:

Size	d	L	H1	H	E	Connection
1/4"	10.5	50	50	26	98	NPT, BSPT, BSP, G etc
3/8"	12	60	57	30	110	
1/2"	15	75	65	37	110	
3/4"	20	80	67	40	110	
1"	25	90	80	49	130	
1 1/4"	32	110	83	53	160	
1 1/2"	38	120	99	62	185	
2"	48	140	107	70	185	
2 1/2"	65	185	163	95	305	
3"	80	205	168	110	305	

Technical Data:

Nominal pressure: PN63(1000Psi)
 Applicable temperature: -10°C + 150°C
 Body and bonnet: CF8(304) or CF8M(316)
 Ball: CF8(304) or CF8M(316)
 Stem: 304 or 316
 Sealing and packing: PTFE
 Thread end: BSP, BSPT, DIN2999, NPT

Materials:

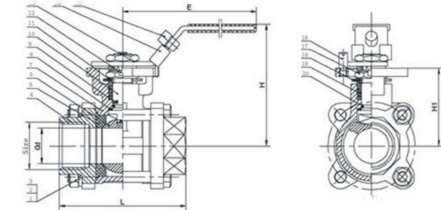
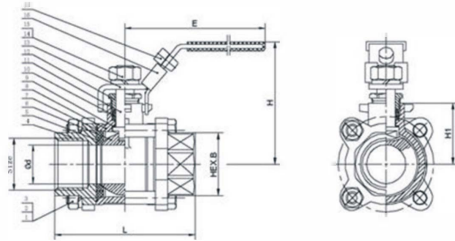
NO.	Part Name	Material	NO.	Part Name	Material
1	Bolt	A193 B8	10	Packing	PTFE
2	Nut	A194 8	11	Stem	304,316
3	Gasket	304	12	Gland	304
4	Bonnet	WCB, CF8, CF8M	13	Handle	304
5	Seat	PTFE,RPTFE,PPL	14	Nut	A194 8
6	Ball	304,316	15	Spring Washer	304
7	Sealing	PTFE	16	Locking Device	201
8	Body	WCB, CF8, CF8M	17	Pin	Plastic
9	ThrustWasher	PTFE			

Dimensions:

Size	d	L	H	E	HEX.B	Connection
1/2"	15	70	64	120	26	NPT, BSPT, BSP, G etc
3/4"	20	80	67	120	32	
1"	25	86	73	150	38	
1 1/4"	32	100	84	150	49	
1 1/2"	38	108	98	170	54	
2"	49	136	107	170	68	
2 1/2"	65	165	129	250	83	
3"	78	192	136	250	96	
4"	98	242	167	300	123	

3PC BALL VALVE M3 TYPE

HIGH PLATFORM 3PC BALL VALVE



Technical Data:

Nominal pressure: PN63(1000Psi)
 Applicable temperature: -10°C + 150°C
 Body and bonnet: CF8(304) or CF8M(316)
 Ball: CF8(304) or CF8M(316)
 Stem: 304 or 316
 Sealing and packing: PTFE
 Thread end: BSP, BSPT, DIN2999, NPT

Materials:

NO.	Part Name	Material	NO.	Part Name	Material
1	Bolt	A193 B8	10	Packing	PTFE
2	Nut	A194 8	11	Stem	304,316
3	Gasket	304	12	Gland	304
4	Bonnet	WCB, CF8, CF8M	13	Handle	304
5	Seat	PTFE,RPTFE,PPL	14	Nut	A194 8
6	Ball	304,316	15	Spring Washer	304
7	Sealing	PTFE	16	Locking Device	201
8	Body	WCB, CF8, CF8M	17	Pin	Plastic
9	ThrustWasher	PTFE			

Technical Data:

Nominal pressure: PN63(1000Psi)
 Applicable temperature: -10°C + 150°C
 Body and bonnet: CF8(304) or CF8M(316)
 Ball: CF8(304) or CF8M(316)
 Stem: 304 or 316
 Sealing and packing: PTFE
 Thread end: BSP, BSPT, DIN2999, NPT

Materials:

NO.	Part Name	Material	NO.	Part Name	Material
1	Bolt	A193 B8	11	Washer	301
2	Nut	A194 8	12	Anti-Loose Cap	201
3	Gasket	304	13	Handle	304
4	Bonnet	WCB, CF8, CF8M	14	Locking Device	301
5	Seat	PTFE,RPTFE,PPL	15	Pin	Plastic
6	Ball	304,316	16	Bolt	304
7	Body	WCB, CF8, CF8M	17	Nut	A194 8
8	Thrust Washer	PTFE	18	Gland	304
9	Anti-Static Device	301	19	Gasket	PTFE
10	Stem	304,316	20	O-ring	RM

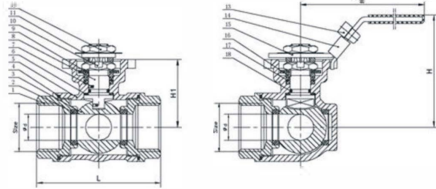
Dimensions:

Size	d	L	H	HI	E	HEX.B	Connection
1/4"	10.5	50	51.5	20.5	98	19	NPT, BSPT, BSP, G etc
3/8"	12	60	58	25	98	22	
1/2"	15	75	64.5	28	120	27	
3/4"	20	80	67	30.5	120	32	
1"	25	90	78.5	39	150	40	
1 1/4"	32	110	83.5	44	150	50	
1 1/2"	38	120	98	54	170	55	
2"	48	140	107	63	170	68.5	
2 1/2"	65	185	133	80.5	250	85	
3"	78	205	143.5	91	250	100	
4"	100	240	168	107.5	300	126	

Dimensions:

Size	d	L	H	HI	E	Connection
1/4"	10.5	50	58	26	98	NPT, BSPT, BSP, G etc
3/8"	12	60	58	31	110	
1/2"	15	75	67	40	110	
3/4"	20	80	73	46	110	
1"	25	90	88	57	160	
1 1/4"	32	110	95	64	160	
1 1/2"	38	120	107.5	71	185	
2"	50	140	118.5	82	185	
2 1/2"	65	185	168	98	305	
3"	78	205	178	110	305	
4"	100	240	198	130	305	

HIGH PLATFORM 3WAY BALL VALVE



Technical Data:

Nominal pressure: PN63(1000Psi)
 Applicable temperature: -10°C + 150°C
 Body and bonnet: CF8(304) or CF8M(316)
 Ball: CF8(304) or CF8M(316)
 Stem: 304 or 316
 Seal ring and packing: PTFE
 Thread end: BSP, BSPT, DIN2999, NPT

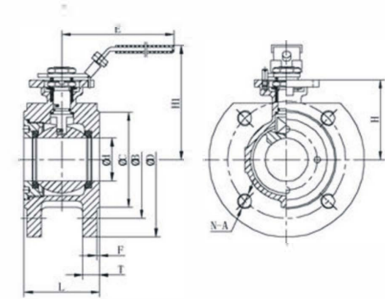
Materials:

NO.	Part Name	Material	NO.	Part Name	Material
1	Bonnet	WCB, CF8, CF8M	10	Anti-Loose Cap	201
2	Seat	PTFE, RPTFE, PPL	11	Indicator	201
3	Ball	304, 316	12	Nut	A194 8
4	Sealing	PTFE	13	Pin	Plastic
5	Body	WCB, CF8, CF8M	14	Locking Device	301
6	Thrust Washer	PTFE	15	Handle	304
7	Anti-Static Device	301	16	Gland	304
8	Stem	304, 316	17	Packing	PTFE
9	Washer	301	18	O-ring	RKM

Dimensions:

Size	d	L	H	H1	E	Connection
1/4"	8	65	62.5	36	120	NPT, BSPT, BSP, G etc
3/8"	8	65	62.5	36	120	
1/2"	12	68	62.5	36	120	
3/4"	15	75	66	39	120	
1"	18	85	77	46.5	160	
1 1/4"	25	110	86	55	160	
1 1/2"	32	125	101.5	64.5	190	
2"	38	145	107.5	70.5	190	

HIGH PLATFORM WAFER BALL VALVE



Technical Data:

Nominal pressure: PN 16
 Applicable temperature: -10°C + 150°C
 Body and bonnet: CF8(304) or CF8M(316)
 Ball: CF8(304) or CF8M(316)
 Stem: 304 or 316
 Sealing and packing: PTFE

Materials:

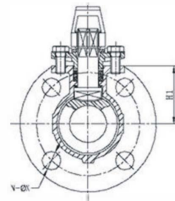
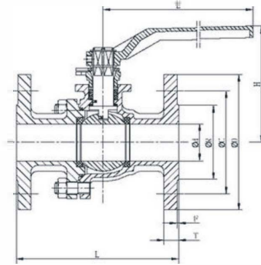
Size	D	L	C	B	D	H1	H	E
1/2"	15	42	34.5	60.3	90	76	48.5	110
3/4"	20	44	42.9	69.9	100	81	53.5	110
1"	25	50	50.8	79.4	110	90	59	160
1 1/4"	30	60	63.5	88.9	115	102	71	160
1 1/2"	36	65	73	98.4	125	115	78	185
2"	46	80	92.1	120.7	150	122	85	185
2 1/2"	57	110	104.8	139.7	180	168	100	305
3"	73	120	127	152.4	190	178	110	305
4"	90	150	157.2	190.5	230	198	130	305

Dimensions:

Size	D	L	C	B	D	H1	H	E
1/2"	15	42	45	65	95	76	48.5	110
3/4"	20	44	58	75	105	81	53.5	110
1"	25	50	68	85	115	90	59	160
1 1/4"	30	60	78	100	140	102	71	160
1 1/2"	36	65	88	110	150	115	78	185
2"	46	80	102	125	165	122	85	185
2 1/2"	57	110	122	145	185	168	100	305
3"	73	120	138	160	200	178	110	305
4"	90	150	158	180	220	198	130	305

2PC FLANGED BALL VALVE

(ASME, DIN, JIS, BS, GB STANDARDS)



Technical Data:

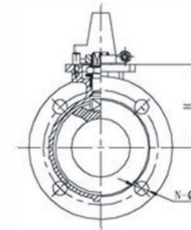
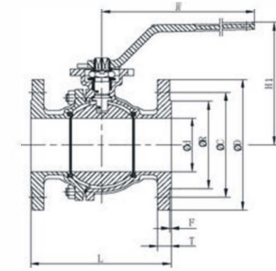
Nominal pressure: PN40
 Applicable temperature: -10 °C-+ 150 °C
 Body and bonnet: CF8(304) or CF8M(316)
 Ball: CF8(304) or CF8M(316)
 Stem: 304 or 316
 Sealing and packing: PTFE
 Flange type: DIN2543

Dimensions:

Size	D	L	R	C	D	H	HI	E	N-X
1/2"	15	140	35	66.5	95	77.5	34	150	4-16
3/4"	20	152	43	82.5	117	79	35.5	150	4-19
1"	25	165	51	89	124	88	45	150	4-19
1 1/4"	32	178	64	98.5	133	100	50	170	4-19
1 1/2"	38	190	73	114.3	156	122	60	230	4-22
2"	50	216	92	127	165	130	68	230	8-19
2 1/2"	65	241	104.7	149.4	190.5	148	86	230	8-22
3"	78	282	127	168.5	210	167	96	400	8-22
4"	100	305	157	200.2	254	188	117	400	8-22
5"	125	400	185.7	235	279	246	141	645	8-22
6"	150	403	216	270	318	288	172	845	12-22
8"	200	502	270	330	381	329	213	1335	12-25
10"	250	568	324	387.5	445	396	255	1500	16-29

HIGH PLATFORM 2PC FLANGED BALL VALVE

(ASME, DIN, JIS, BS, GB STANDARDS)



Technical Data:

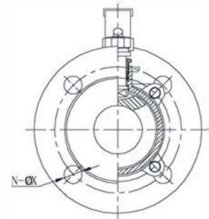
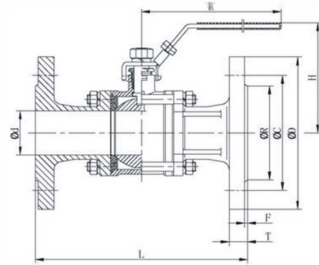
Nominal pressure: PN63(1000Psi)
 Applicable temperature: -10 °C-+ 150 °C
 Body and bonnet: CF8(304) or CF8M(316)
 Ball: CF8(304) or CF8M(316)
 Stem: 304 or 316
 Sealing and packing: PTFE
 Thread end: BSP, BSPT, DIN2999, NPT
 Control type: Double acting
 (If choose single-acting control forms, are subject to selection)

Dimensions:

Size	d	L	R	C	D	HI	H	E	N-X
1/2"	15	140	35	66.5	95	76	48.5	110	4-16
3/4"	20	152	43	82.5	117	81	53.5	110	4-19
1"	25	165	51	89	124	90	59	130	4-19
1 1/4"	32	178	64	98.5	133	102	71	160	4-19
1 1/2"	38	190	73	114.3	156	115	78	185	4-22
2"	50	216	92	127	165	122	85	185	8-19
2 1/2"	65	241	104.7	149.4	190.5	168	100	305	8-22
3"	78	282	127	168.5	210	178	110	305	8-22
4"	100	305	157	200.2	254	198	130	305	8-22
5"	125	400	185.7	235	279	234	165	500	8-22

3PC FLANGED BALL VALVE

(ASME, DIN, JIS, BS, GB STANDARDS)



Technical Data:

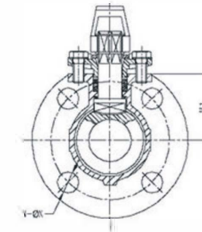
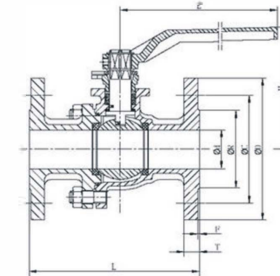
Nominal pressure: PN40
 Applicable temperature: -10°C + 150°C
 Body and bonnet: CF8(304) or CF8M(316)
 Ball: CF8(304) or CF8M(316)
 Stem: 304 or 316
 Seal ring and packing: PTFE
 Flange type: DIN2543

Dimensions:

Size	d	L	R	C	D	H1	H	E	N-X
1/2"	15	140	35	66.5	95	76	48.5	110	4-16
3/4"	20	152	43	82.5	117	81	53.5	110	4-19
1"	25	165	51	89	124	90	59	130	4-19
1 1/4"	32	178	64	98.5	133	102	71	160	4-19
1 1/2"	38	190	73	114.3	156	115	78	185	4-22
2"	50	216	92	127	165	122	85	185	8-19
2 1/2"	65	241	104.7	149.4	190.5	168	100	305	8-22
3"	78	282	127	168.5	210	178	110	305	8-22
4"	100	305	157	200.2	254	198	130	305	8-22
5"	125	400	185.7	235	279	234	165	500	8-22

HIGH PLATFORM 3PC FLANGED BALL VALVE

(ASME, DIN, JIS, BS, GB STANDARDS)



Technical Data:

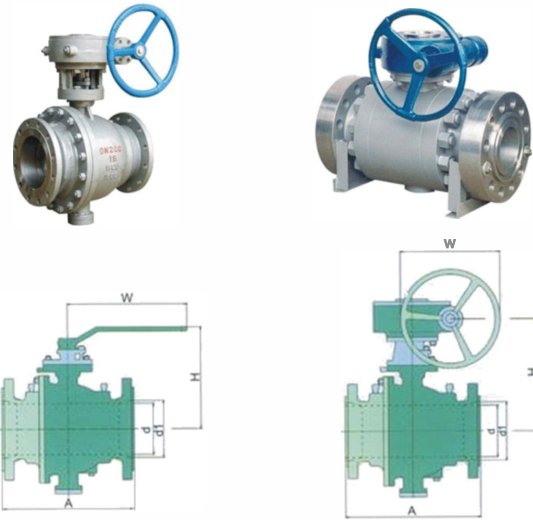
Nominal pressure: PN40
 Applicable temperature: -10°C + 150°C
 Body and bonnet: CF8(304) or CF8M(316)
 Ball: CF8(304) or CF8M(316)
 Stem: 304 or 316
 Sealing and packing: PTFE
 Flange type: DIN2543

Dimensions:

Size	d	A	H	W
in	mm	mm	mm	mm
2	51	292	145	350
3	76	356	182	420
4	102	432	211	700
6	152	559	435	*400
8	203	660	530	*500
10	254	787	615	*500
12	305	838	680	*500
14	337	889	720	*600
16	387	991	840	*600
18	438	1092	890	*600
20	489	1194	925	*600
24	591	1397	980	*600

TRUNNION MOUNTED FLANGED BALL VALVE

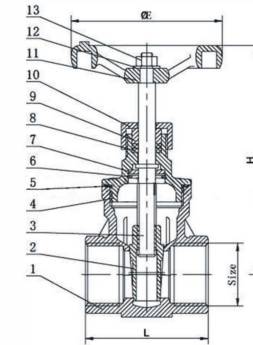
(ASME, DIN, JIS, BS, GB STANDARDS)



Dimensions:

	d	A	H	W
in	mm	mm	mm	mm
2	51	292	145	350
3	76	356	182	420
4	102	432	211	700
6	152	559	435	*400
8	203	660	530	*500
10	254	787	615	*500
12	305	838	680	*500
14	337	889	720	*600
16	387	991	840	*600
18	438	1092	890	*600
20	489	1194	925	*600
24	591	1397	980	*600

THREADED GATE VALVE



Technical Data:

Nominal pressure: PN 1.6, 2.5, 6.4MPa
 Strength testing pressure: PT2.4, 3.8, 6.0, 9.6MPa
 Seat testing pressure (high pressure): 1.8, 2.8, 4.4, 7. IMPa
 Applicable media: Z15H-(16-64)C Water.Oil.Gas
 Applicable temperature: -29-180°C
 Applicable media: Z15H-(16-64)P Nitric acid
 Z15H-(16-64)R Acetic acid
 Applicable temperature: -40-180°C

Materials:

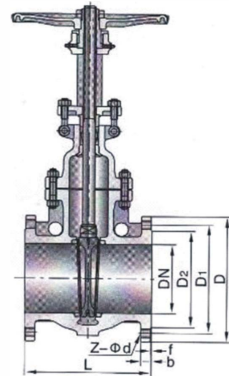
NO.	Part Name	Material	NO.	Part Name	Material
1	Boey	CF8, CF8M	8	Packing	PTFE
2	Disc	CF8, CF8M	9	Washer	304
3	Stem	304,316	10	Gland	304
4	Cap	CF8, CF8M	11	Handwheel	AL
5	Gasket	PTFE	12	Gasket	304
6	Ring	304	13	Nut	A194 8
7	Gasket	304			

Dimensions:

Size	L	H	E
1/2"	55	93	70
3/4"	60	105	70
1"	65	115	80
1 1/4"	75	130	80
1 1/2"	85	145	100
2"	95	170	100
2 1/2"	107	200	125
3"	117	218	125

FLANGED GATE VALVE

(ASME, DIN, JIS, BS, GB STANDARDS)



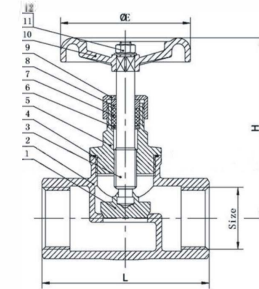
Technical Data:

Design & Manufacture as per: API600 ASME B16.34, BS 1414
 Face to face dimension as per: ASME B16.10
 Connection ends dimension as per:
 ASME B16.5, ASME B16.47, ASME B16.25
 Inspection and test as per: ISO 5208, API 598, BS 6755

Dimensions:

Size	L	D	D1	D2	b	Z-φd
2"	292	165	127	92	26	8-φ119
2 1/2"	330	190.5	150	105	29	8-φ122
3"	356	210	168.5	127	32	8-φ122
4"	432	273	216	157	38	8-φ125
5"	508	330	267	186	45	8-φ129
6"	559	356	292	216	48	12-φ129
8"	660	419	349	270	56	12-φ132
10"	787	508	432	324	64	16-φ135
12"	838	559	489	381	67	20-φ135
14"	889	603	527	413	70	20-φ141
16"	991	686	603	470	77	20-φ141
18"	1092	743	654	533.5	83	20-φ144
20"	1194	813	724	584	89	24-φ144
24"	1397	940	838	692	102	24-φ152

THREADED GLOBE VALVE



Technical Data:

Nominal pressure: PN 1.6, 2.5, 4.0, 6.4 MPa
 Strength testing pressure: PT2.4, 3.8, 6.0, 9.6 MPa
 Seat testing pressure (high pressure): 1.8, 2.8, 4.4, 7.0 MPa
 Applicable media: J11H-(16-64)CWater, Oil, Gas
 Applicable temperature: -29-180 °C
 Applicable media: J11W-(16-64)P Nitric acid
 J11W-(16-64)R Acetic acid
 Applicable temperature: -40-180 °C

Materials:

NO.	Part Name	Material	NO.	Part Name	Material
1	Disc	304,316	7	Packing	PTFE
2	Boey	CF8, CF8M	8	Washer	304
3	Stem	304,316	9	Gland	304
4	Gasket	PTFE	10	Handwheel	AL
5	Cap	CF8, CF8M	11	Gasket	304
6	Gasket	304	12	Nut	A194 8

Dimensions:

Size	L	H	E
1/2"	60	80	70
3/4"	60	80	70
1"	65	82	70
1 1/4"	80	90	70
1 1/2"	90	97	70
2"	105	115	90
2 1/2"	120	125	90
3"	140	139	90

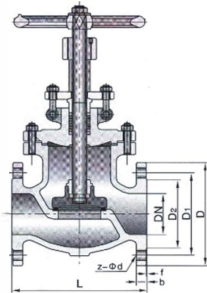
FLANGED GLOBE VALVE

(ASME, DIN, JIS, BS, GB STANDARDS)



Technical Data:

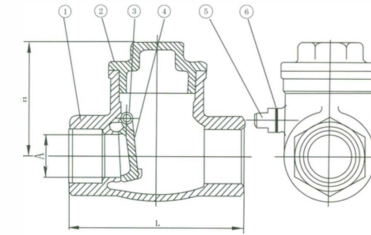
Design & Manufacture as per: ASME B16.34, BS 1873
 Face to face dimension as per: ASME B16.10
 Connection ends dimension as per: ASME B16.5,
 ASME B16.25
 Inspection and test as per: ISO 5208, API 598, BS 6755



Dimensions:

Size	L	D	D1	D2	b	Z-\leftrightarrowd
DN50	292	165	127	92	26	8-cj, 19
DN65	330	190.5	150	105	29	8-cj, 22
DN80	356	210	168.5	127	32	8-cj, 22
DN100	432	273	216	157	38	8-cj,25
DN125	508	330	267	186	45	8-cj,29
DN150	559	356	292	216	48	12-cj, 29
DN200	660	419	349	270	56	12-cj,32
DN250	787	508	432	324	64	16-cj,35
DN300	838	559	489	381	67	20-cj,35

THREADED SWING CHECK VALVE



Technical Data:

Nominal pressure: PN 1.6, 2.5, 4.0, 6.4MPa
 Strength testing pressure: PT2.4, 3.8, 6.0, 9.6MPa
 Seat testing pressure (high pressure): 1.8, 2.8, 4.4, 7. IMPa
 Applicable media: H₂LH-(16-64)C Water, Oil, Gas
 Applicable temperature: -29-180°C
 Applicable media: H₂1W-(16-64)P Nitric acid
 H₂1W-(16-64)R Acetic acid
 Applicable temperature: -40-180°C

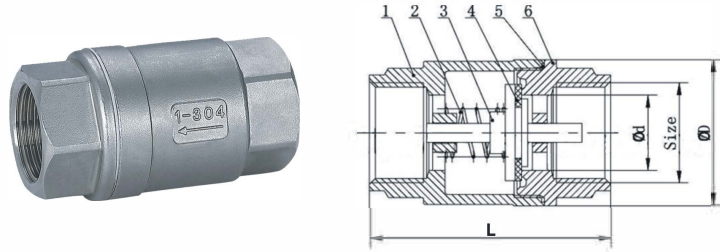
Materials:

NO.	Part Name	Material
1	Body	CF8, CF8M
2	Bonnet	CF8, CF8M
3	Pin	CF8, CF8M
4	Disc	CF8, CF8M
5	Plug	CF8, CF8M
6	Gasket	PTFE

Dimensions:

Size	L	A	H
1/2"	60	15	41.5
3/4"	78	20	45
1"	84	25	49
1 1/4"	94	32	53.5
1 1/2"	104	40	58.5
2"	122	48	67

THREADED SPRING CHECK VALVE



Technical Data:

Nominal pressure: PN 1.6, 2.5, 4.0, 6.4MPa
 Strength testing pressure: PT2.4, 3.8, 6.0, 9.6MPa
 Seat testing pressure (high pressure): 1.8, 2.8, 4.4, 7.1MPa
 Applicable media: H;1H-(16-64)C Water. Oil. Gas
 Applicable temperature: -29-180 °C
 Applicable media: H;1W-(16-64)P Nitric acid
 H;1W-(16-64)R Acetic acid
 Applicable temperature: -40-180 °C

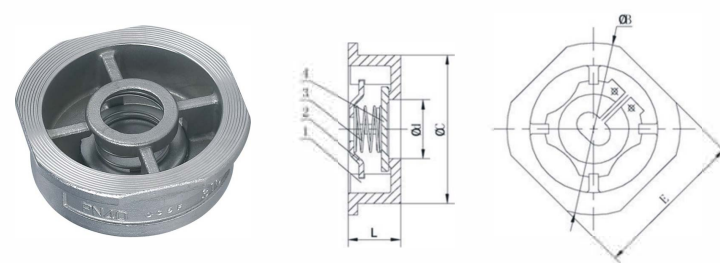
Materials:

NO.	Part Name	Material
1	Boey	CF8, CF8M
2	Spring	CF8, CF8M
3	Disc	CF8, CF8M
4	Seat	CF8, CF8M
5	Gasket	PTFE
6	Bonnet	CF8, CF8M

Dimensions:

SIZE	1/2"	3/4"	1"	1 1/4"	1 1/2"	2"	2 1/2"	3"	4"
d	15	20	25	32	40	50	65	76	94
D	34	42	49	60	71	87	110	125	155
L	57	64	80	82	93	100	120	140	158

WAFER LIFT CHECK VALVE



Technical Data:

Nominal pressure: PN 1.6, 2.5, 4.0, 6.4MPa
 Strength testing pressure: PT2.4, 3.8, 6.0, 9.6MPa
 Seat testing pressure (high pressure): 1.8, 2.8, 4.4, 7.1MPa
 Applicable media: H;H-(16-64)C Water. Oil. Gas
 Applicable temperature: -29-180 °C
 Applicable media: H;W-(16-64)P Nitric acid
 H;W-(16-64)R Acetic acid
 Applicable temperature: -40-180 °C

Materials:

NO.	Part Name	Material
1	Boey	CF8, CF8M
2	Cap	304, 316
3	Spring	304
4	Disc	CF8, CF8M

Dimensions:

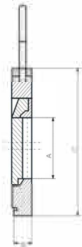
SIZE	1/2"	3/4"	1"	1 1/4"	1 1/2"	2"	2 1/2"	3"	4"	5"	6"
d	15	20	25	32	38	46	62.5	78	96	117	148
C	43	53	63	75	86	94	115	130	152		
E	46	55	65	78	88	98	118	134	154		
B	53	63	73	84	94	107	126	144	164	190	217
L	16.5	19.5	22	28	32	40	46	50	60	82	102

WAFER SINGLE DISC SWING CHECK VALVE



Technical Data:

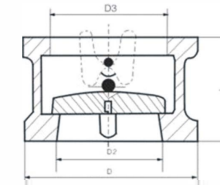
Nominal pressure: PN 1.6, 2.5, 4.0, 6.4MPa
 Strength testing pressure: PT2.4, 3.8, 6.0, 9.6MPa
 Seat testing pressure (high pressure): 1.8, 2.8, 4.4, 7. IMPa
 Applicable media: H)1H-(16-64)C Water. Oil. Gas
 Applicable temperature: -29-180 °C
 Applicable media: H)1W-(16-64)P Nitric acid
 H)1W-(16-64)R Acetic acid
 Applicable temperature: -40-180 °C



Dimensions:

Size	A	B	C(PN16)	C(CLASS150)
DN50	30	19	108	104
DN65	40	19	128	123
DN80	52	19	143	136
DN100	72	19	163	174
DN125	93	19	193	196
DN150	114	19	219	221
DN200	157	28.5	274	273
DN250	195	28.5	329	339
DN300	230	38	385	409
DN350	270	44.5	444	449
DN400	310	51	496	512
DN500	406	63.5	616	602

WAFER DOUBLE DISC SWING CHECK VALVE



Technical Data:

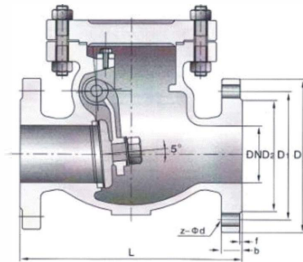
Nominal pressure: PN1.6, 2.5, 4.0, 6.4MPa
 Strength testing pressure: PT2.4, 3.8, 6.0, 9.6MPa
 Seat testing pressure (high pressure): 1.8, 2.8, 4.4, 7. IMPa
 Applicable media: HHH-(16-64)C Water. Oil. Gas
 Applicable temperature: -29-180 °C
 Applicable media: H)1W-(16-64)P Nitric acid
 HHW-(16-64)R Acetic acid
 Applicable temperature: -40-180 °C

Dimensions:

SIZE	L	D	D2	D3
DN40	60	83	38	45
DN50	60	103	51	56
DN65	67	122	65	73
DN80	73	135	80	88
DN100	73	173	102	108
DN125	86	195	127	132
DN150	98	220	152	160
DN200	127	277	203	210
DN250	146	337	254	266
DN300	181	407	305	310
DN350	184	448	350	355
DN400	191	512	400	405
DN450	203	547	450	455
DN500	219	604	500	505
DN600	222	715	600	605
DN700	305	773	700	705
DN800	305	878	796	800
DN900	368	983	874	894
DN1000	432	1090	976	985

FLANGED CHECK VALVE

(ASME, DIN, JIS, BS, GB STANDARDS)



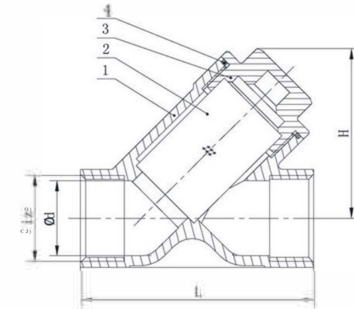
Technical Data:

Design & Manufacture as Per: API 6D, BS 1868, ASME B16.34
 Face to face dimension as per: ASME B16.10, API 6D
 Connection ends dimension as per:
 ASME B16.5, ASME B16.25, ASME B16.47
 Inspection and test as per: ISO 5208, API 598, BS 6755

Dimensions:

Size	L	D	D1	D2	b	Z-ϕd
DN50	292	165	127	92	26	8-ϕ119
DN65	330	190.5	150	105	29	8-ϕJ,22
DN80	356	210	168.5	127	32	8-ϕJ,22
DN100	432	273	216	157	38	8-ϕJ,25
DN125	508	330	267	186	45	8-ϕJ,29
DN150	559	356	292	216	48	12-ϕ29
DN200	660	419	349	270	56	12-ϕJ,32
DN250	787	508	432	324	64	16-ϕJ,35
DN300	838	559	489	381	67	20-ϕJ,35
DN400	991	686	603	470	77	20-ϕJ,41
DN500	1194	813	724	584	89	24-ϕJ,44

THREADED Y STRAINER



Technical Data:

Nominal pressure: PN1.6,2.5,4.0,6.4MPa
 Strength testing pressure: PT2.4, 3.8, 6.0, 9.6MPa
 Applicable media: SY11-(16-64)CWater, Oil, Gas
 Applicable temperature: -29-180°C
 Applicable media: SY11-(16-64)P Nitric acid
 SY11 1-(16-64)R Acetic acid
 Applicable temperature: -40-180°C

Materials:

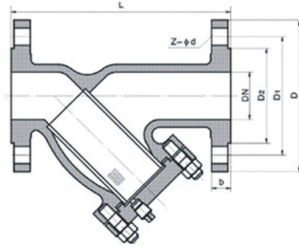
NO.	Part Name	Material
1	Body	CF8, CF8M
2	Screen	304
3	Cap	CF8, CF8M
4	Gasket	PTFE

Dimensions:

SIZE	L	D	H
1/4"	11.6	56	37.8
3/8"	11.6	65	37.8
1/2"	17.5	65	44.7
3/4"	23	75	52.1
1"	29	90	65.7
1 1/4"	38	110	70
1 1/2"	43.5	120	79.5
2"	55	140	95.5
2 1/2"	69	190	125
3"	81.5	205	144.5

FLANGED Y STRAINER

(ASME, DIN, JIS, BS, GB STANDARDS)



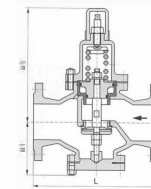
Technical Data:

Nominal pressure: PN1.6-6.4, Class 150/300, 10k/20k
 Strength testing pressure: PT1.5PN
 Applicable media: SY41-(16-64)C Water, Oil, Gas
 Applicable temperature: -29-180 °C
 Applicable media: SY41-(16-64)P Nitric acid
 SY41-(16-64)R Acetic acid
 Applicable temperature: -40-180 °C

Dimensions:

Size	L	D	D1	D2	Z-<lid
DN15	130	95	65	45	4-<l 14
DN20	145	105	75	55	4-<l 14
DN25	150	115	85	65	4-<l 14
DN32	160	135	100	78	4-<l 18
DN40	200	145	110	85	4-<l 18
DN50	220	160	125	100	4-<l 18
DN65	250	180	145	120	4-<l 18
DN80	275	195	160	135	8-<l 18
DN100	315	215	180	155	8-<l 18
DN125	340	245	210	185	8-<l 18
DN150	380	280	240	210	8-<l i23

WATER PRESSURE REDUCING VALVE



General

This pressure reducing valve is one type of pressure adjusting valve, which means the pressure after valve can be adjusted according to requirements. After setting up the outlet pressure, the outlet pressure will reduce and keep on the preset one, which will not be changed because of the change of the inlet pressure. It has quality materials, reliable performance and long service life. It is applicable to be mounted on the pipeline.

Materials:

Part Name	Material
Body, Top Bonnet, Bottom Bonnet	Cast Steel, Stainless steel
Adjusting Spring	Spring Steel
Piston	Steel

Technical Specifications

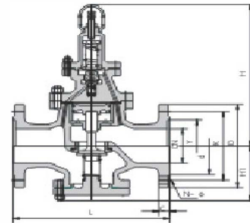
Nominal Pressure: 1.6-6.4MPa
 Nominal Diameter: 20-500mm
 Applicable Temperature: 0-100 °C
 Inspection and Test: GB/T 13927, API 598

PN (MPa)	1.6	2.5	4.0	6.4
Shell Test (MPa)	2.4	3.75	6.0	9.6
Sealing Test (MPa)	1.76	2.75	4.4	7.04
Max Inlet Pressure(MPa)	1.6	2.5	4.0	6.4
Outlet Pressure(MPa)	0.2-1.0	0.3-1.6	0.3-2.5	0.5-3.0
L-P2P	P2(outlet pressure) X10%		P2(outlet pressure) X12%	
Leakage	0			

Dimensions:

DN	L					H1						H2		
	PN16, PN25	PN40	PN64	PN16	PN25	PN40	PN64	PN16	PN25	PN40	PN64			
20	160	160	170	90	90	90	90	220	220	220	220			
25	180	200	200	95	95	100	105	255	255	265	265			
32	200	220	220	100	100	100	110	255	255	265	265			
40	220	240	240	115	115	130	130	325	325	330	330			
50	250	270	270	120	120	135	135	325	325	330	330			
65	260	280	300	125	125	130	145	330	330	340	355			
80	310	330	330	135	135	150	160	340	340	340	360			
100	350	380	380	108	108	185	185	317	317	360	360			
125	400	450	450	190	200	200	245	560	560	565	565			
150	450	500	500	205	210	240	280	580	580	585	585			
200	500	560	560	220	245	245	310	630	630	635	635			
250	600										750			
300	800										780			
350	850										850			
400	900										925			
500	950													

STEAM PRESSURE REDUCING VALVE



Features:

This pressure reducing valve belongs to pilot piston type pressure reducing valve. It contains main valve and pilot valve. The main valve is mainly composed of seat, main disc, piston, spring and so on. The pilot valve is mainly composed of seat, disc, diaphragm, spring, adjusting spring and others. We can set the outlet pressure by adjusting the adjusting spring pressure, change outlet pressure by diaphragm, and close/open pilot to drive piston to adjust the main valve throttle open area, in order to realize the pressure reducing and steady function. It is mainly used in steam pipelines.

Technical Specifications:

Pressure: PN16-PN100
 Material: WCB, Stainless steel, etc
 Medium: Steam

Dimensions:

DN	1.6/2.5MPa	L	4.0MPa	H	HI
15	160		180	295	90
20	160		180	330	98
25	180		200	330	110
32	200		220	330	110
40	220		240	345	125
50	250		270	345	125
65	280		300	350	130
80	310		330	385	160
100	350		380	385	170
125	400		450	400	200
150	450		500	415	210
200	500		550	475	240
250		650		525	290
300		800		580	335
350		850		620	375
400		900		660	405
450		900		730	455
500		950		750	465

PIPE FITTINGS



Stainless Steel Fittings Series



Stainless Steel Fittings Series



Stainless Steel Quick Coupling



Stainless Steel Flange Series